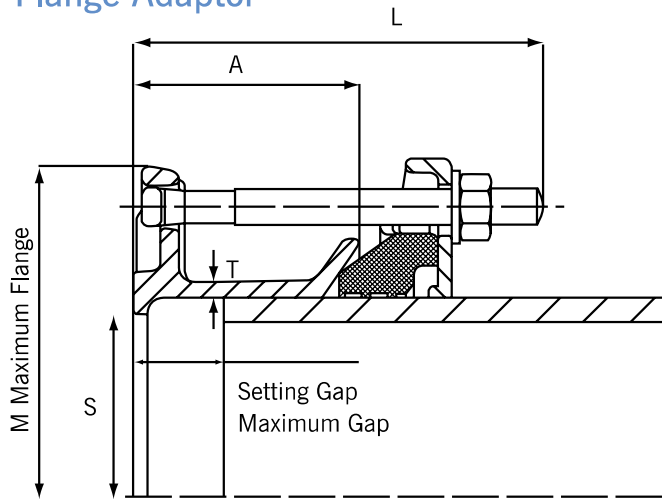


MaxiDaptor Flange Adaptors

Datasheet 1/2

Flange Adaptor



MaxiDaptor Flange Adaptors

Nom Size	Size Range (mm)		øDia (mm)	Bores (mm)		Overall Length (mm)	Sleeve Length x Thickness (A) x (T)	Flange Drilling Options				Setting Gap (mm)		Bolts No.-Dia x Length	Gasket Mould No.	Weight (kg)	MaxFit Plus Available
	Min	Max		M	S			L	Nom (DN)	Metric Drilling Specification	Nom (Inches)	Imperial Drilling Specification	Min				
50	57.0	74.0	163.4	59.0	124.0	75.0 x 5.0	50	PN10 / 16	2"	ANSI 125/150	20.0	40.0	4-M12 x 115	12392/1	2.7		
									2.5"	BS10 Table ADE							
65	63.0	85.0	196.9	75.0	124.0	75.0 x 5.0	60	PN10 / 16	2.5"	ANSI 125/150	20.0	40.0	4-M12 x 115	12392/2	3.5	✓	
									65	PN10 / 16							
									80	PN10 / 16 AS2129 CD AS4087 16							3"
80	85.0	107.0	202.5	101.0	124.0	75.0 x 5.0	80	PN10 / 16	3"	ANSI 125/150	20.0	40.0	4-M12 x 115	12392/3	3.7	✓	
									3.5"	BS10 Table ADE							
100	107.0	132.0	228.0	121.0	134.0	75.0 x 5.0	100	PN10 / 16 AS2129 CD AS4087 16	4"	BS10 Table ADE AWWA C207 D ANSI 125/150	20.0	40.0	4-M12 x 125	12392/4	4.4	✓	
125	132.0	158.0	281.5	150.0	134.0	75.0 x 5.0	125	PN10 / 16 AS2129 CD	5"	BS10 Table ADE	20.0	40.0	4-M12 x 125	12392/6	5.6		
									150	PN10 / 16							6"
150	158.0	184.0	281.2	173.0	134.0	75.0 x 5.0	150	PN10 / 16 AS4087 16 AS2129 CD	6"	BS10 Table AD AWWA C207 D ANSI 125/150	20.0	40.0	4-M12 x 125	12392/7	6.0		
175	189.0	212.0	336.5	202.0	133.0	75.0 x 5.0	150	PN10 / 16			25.0	40.0	4-M12 x 125	12392/9	8.3		
									200	PN10 / 16 AS2129 CD AS4087 16							8"
200	218.0	244.0	337.8	225.0	134.0	75.0 x 5.0	200	PN10 / 16 AS2129 CD	8"	BS10 Table AD AWWA C207 D ANSI 125/150	25.0	40.0	4-M12 x 125	12392/10	8.3		
225	243.0	269.0	401.5	252.0	144.0	85.0 x 5.0	250	PN10/16	10"	BS10 Table E	25.0	50.0	6-M12 x 135	12392/11	10.9		
250	266.0	295.0	402.1	277.0	146.0	85.0 x 5.0	250	PN10 / 16	10"	BS10 Table E	25.0	50.0	6-M12 x 135	12392/12	11.4		
300	315.0	349.0	457.8	329.0	155.0	100.0 x 5.0	300	PN10 / 16 AS2129 CD			25.0	60.0	6-M12 x 145	12392/14	14.8		

Every effort has been made to ensure that the information contained in this publication is accurate at the time of publishing. Crane Ltd assumes no responsibility or liability for typographical errors or omissions or for any misinterpretation of the information within the publication and reserves the right to change without notice.

DR0650_03_2020_ISSUE 6