

ART 31

DZR Brass Thermostatic Balancing Valve



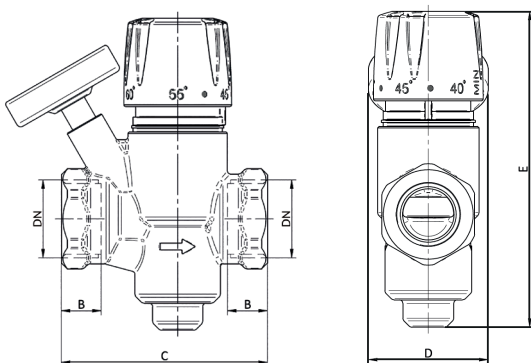
Features

- BSP Parallel (ISO 228/1)
- Fluid: water
- Improves efficiency of DHW systems
- Automatically responds to changes in system temperature and flow requirements
- Reduces heat loss through lower circulation of hot water
- Keeps temperature evenly distributed and reduces dead-legs

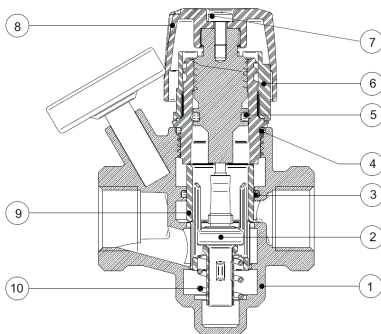


Technical data

Max pressure (Static): 10 Bar
 Working temp: +40°C to +60°C
 Max Inlet temp: 90°C

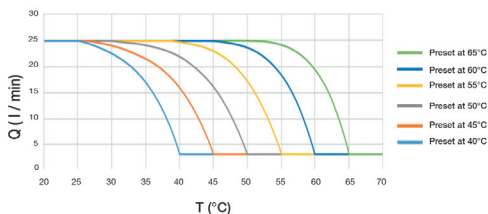


| DN | 1/2" | 3/4" |
|-----|---------|---------|
| B | 13.5 | 13.5 |
| C | 70 | 73 |
| D | 40 | 40 |
| E | Max 110 | Max 110 |
| Kgs | 1.5 | 1.5 |



| N. | Part Name | Materials |
|----|--------------|----------------------|
| 1 | Body | DZR Brass |
| 2 | Element | Thermostatic Element |
| 3 | O-Ring | EPDM |
| 4 | O-Ring | EPDM |
| 5 | O-Ring | EDPM |
| 6 | Locking Ring | ABS |
| 7 | Screw | Stainless Steel |
| 8 | Cap | ABS |
| 9 | Regulator | Plastic S2010 G4 |
| 10 | Spring | Stainless Steel |

Flow



V1. Dimensions in mm

This data sheet is designed as a guide and should not be regarded as wholly accurate in every detail. We reserve the right to amend the specification of any product without notice.