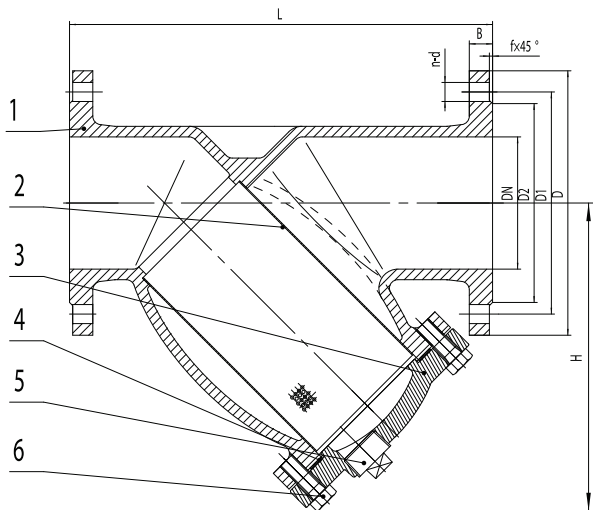


PN16 Cast Iron "Y" Strainer

Features

- Flange Mounting PN16 Only
- BS EN 558-1 Series 1



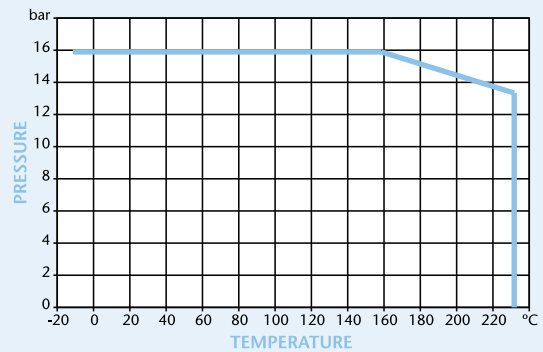
Technical Data

Maximum Pressure 16 Bar
Working Temperature -10°C to +230°C

Dimensions in mm

This data sheet is designed as a guide and should not be regarded as wholly accurate in every detail. We reserve the right to amend the specification of any product without notice.

Pressure/Temperature



| DN | 50 | 65 | 80 | 100 | 125 | 150 | 200 | 250 | 300 |
|------|------|------|------|------|------|------|-------|-------|-------|
| L | 230 | 290 | 310 | 350 | 400 | 480 | 600 | 730 | 850 |
| D | 165 | 185 | 200 | 220 | 250 | 285 | 340 | 405 | 460 |
| D1 | 125 | 145 | 160 | 180 | 210 | 240 | 295 | 355 | 410 |
| D2 | 99 | 118 | 132 | 156 | 184 | 211 | 266 | 319 | 370 |
| B | 20 | 20 | 22 | 24 | 26 | 26 | 30 | 32 | 32 |
| f | 3 | 3 | 3 | 3 | 3 | 3 | 3 | 3 | 4 |
| n-d | 4-19 | 4-19 | 8-19 | 8-19 | 8-19 | 8-23 | 12-23 | 12-28 | 12-28 |
| H | 156 | 176 | 199 | 240 | 292 | 320 | 399 | 516 | 568 |
| Mesh | 1.5 | 1.5 | 1.5 | 1.5 | 1.5 | 1.5 | 1.5 | 1.5 | 1.5 |
| Kgs | 10.1 | 14 | 20.3 | 26.6 | 39.8 | 57 | 97 | 164 | 234 |

| N. | Part Name | Materials |
|----|-----------|-----------------|
| 1 | Body | Cast Iron GG25 |
| 2 | Screen | Stainless Steel |
| 3 | Bonnet | Cast Iron |
| 4 | Gasket | Graphite |
| 5 | Plug | Cast Brass |
| 6 | Bolt | Steel |