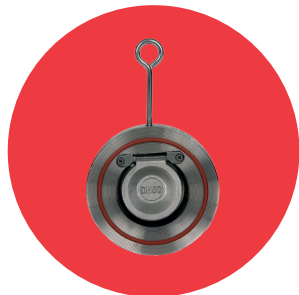


ART 963

PN16 Stainless Steel

Wafer Check Valve

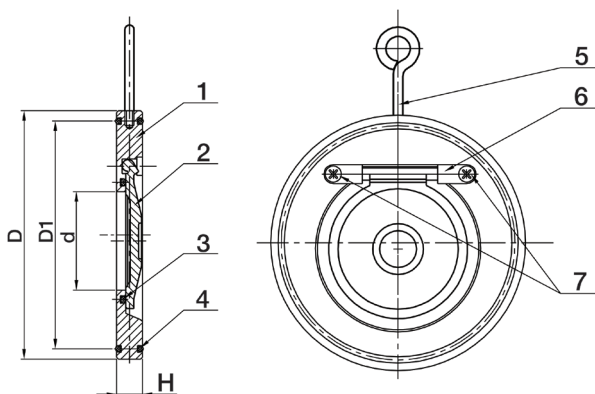


Technical data

Max pressure: 16 Bar
Working temp: -25°C to +180°C

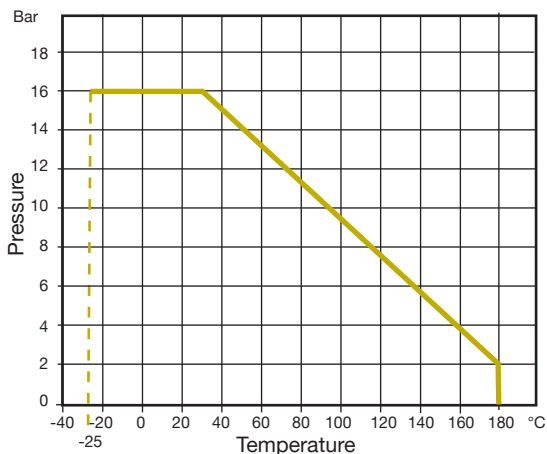
Features

- Wafer pattern to suit PN16 & ANSI 150 flanges
- Suitable for upwards or horizontal flow
- PN16 rated



DN	2"	2 1/2"	3"	4"	5"	6"	8"	10"	12"
d	32	40	54	70	92	114	154	200	230
D	105	124	136	164	194	220	275	330	384
D1	84.0	96.0	117.5	148.0	166.0	197.0	249.0	310.0	358.0
H	14	14	14	18	18	20	22	26	30
Kv	27.5	45.5	69.0	113.0	168.0	231.0	314.0	425.0	550.0
Kgs	0.79	1.10	1.30	2.26	3.15	4.54	7.65	12.63	19.95

N.	Part Name	Materials
1	Body	CF8M
2	Disc	CF8M
3	Disc O-Ring	Viton
4	External O-ring	Viton
5	Hook	Stainless Steel 304
6	Stem Stopper	Stainless Steel 316
7	Axis Screw	Stainless Steel 316



V1. Dimensions in mm

This data sheet is designed as a guide and should not be regarded as wholly accurate in every detail. We reserve the right to amend the specification of any product without notice.