

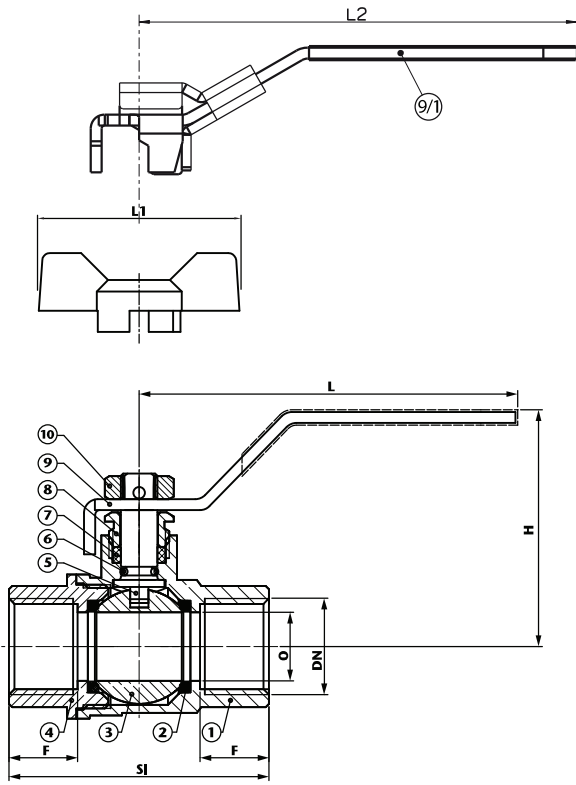
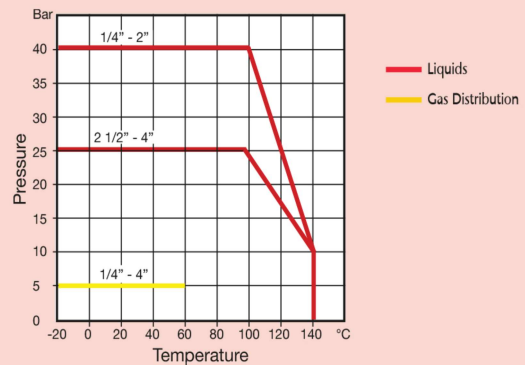


PN40 Brass Ball Valve

Features

- Screwed BSP Parallel (ISO 228/1)
- Anti-Blow-Out Stem
- PTFE Seats & Seals
- Full Bore
- WRAS & EN331 Approved
- Locking Lever (1/2" to 2" only) & Tee Handle (1/4" to 1" only) options available

Pressure / Temperature



Technical Data - Gas Distribution

| | | |
|---------------------|-----------|----------------|
| Max Pressure | 1/4" - 4" | 5 Bar |
| Working Temperature | | -20°C to +60°C |

Technical Data

| | | |
|---------------------|-------------|-----------------|
| Max Pressure | 1/4" - 2" | 40 Bar |
| | 2 1/2" - 4" | 25 Bar |
| Working Temperature | | -20°C to +140°C |

| DN | 1/4" | 3/8" | 1/2" | 3/4" | 1" | 1 1/4" | 1 1/2" | 2" | 2 1/2" | 3" | 4" |
|-----|------|------|------|------|------|--------|--------|------|--------|------|------|
| O | 10 | 10 | 14.5 | 19 | 24.5 | 31.5 | 40 | 49 | 62 | 73 | 90 |
| F | 11.5 | 11.5 | 15 | 18 | 19.5 | 20 | 21 | 26.5 | 31 | 36.8 | 41.6 |
| S1 | 45 | 45 | 57 | 67 | 77 | 88 | 99 | 121 | 146 | 168 | 199 |
| H | 41 | 41 | 52 | 49 | 62 | 81 | 90 | 96 | 122 | 132 | 143 |
| L | 82 | 82 | 87.5 | 100 | 125 | 141 | 141 | 165 | 225 | 225 | 280 |
| L1 | 52 | 52 | 52 | 52 | 62 | | | | | | |
| L2 | | | 100 | 100 | 125 | 150 | 150 | 165 | | | |
| Kgs | 0.14 | 0.14 | 0.20 | 0.26 | 0.41 | 0.61 | 0.95 | 1.35 | 3.02 | 3.99 | 6.51 |

| N. | Part Name | Materials |
|-----|----------------|--------------------------|
| 1 | Body | Brass/Nickel Plated |
| 2 | Seat | PTFE |
| 3 | Ball | Brass/Chrome Plated |
| 4 | Body End | Brass/Nickel Plated |
| 5 | Stem | Brass |
| 6 | 'O' Ring | NBR |
| 7 | Stem Packing | PTFE |
| 8 | Lock Nut | Brass |
| 9 | Lever | Steel |
| 9/1 | Lockable Lever | Steel/PVC Plastic Coated |
| 10 | Nut | Steel |

Dimensions in mm

This data sheet is designed as a guide and should not be regarded as wholly accurate in every detail. We reserve the right to amend the specification of any product without notice.