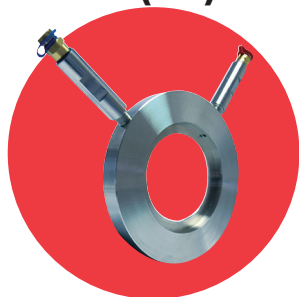


ART 270 PN16

PN16 Stainless Steel Orifice Plate (OP)



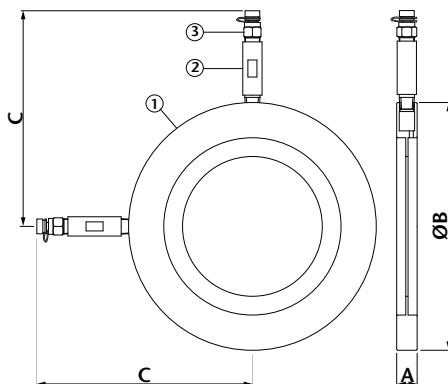
Technical data

Max pressure: 16 Bar

Working temp: -10°C to +120°C

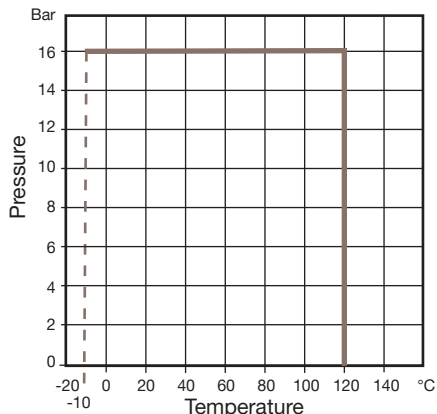
Features

- Wafer pattern
- Fits between BS EN1092 flanges PN16
- Flow characteristics confirmed to BS 7350
- Fixed orifice with $\pm 5\%$ flow measurement accuracy
- Can be close coupled to a double regulating valve
- Supplied with 2 extensions and test points



DN	50	65	80	100	125	150	200	250	300	350	400	450	500	600
A	20	20	20	20	20	20	20	20	20	20	20	30	30	30
B	108	127	144	164	194	220	275	333	385	445	495	555	617	734
C	136	145	153	164	178	192	219	248	274	304	329	359	390	449
Kv	71.6	145.5	219.0	386.0	572.0	807.0	1416	1975	2990	3598	4675	5706	7449	11597
Kvs	57	104	137	241	345	516	863	1218	1794	2128	2766	3375	4407	6861
kgs	1.3	1.8	2.1	2.5	3.0	3.4	4.5	6.0	8.0	12.0	15.3	28.0	30.0	39.5

N.	Part Name	Materials
1	Body	Stainless Steel 304
2	Extension	Stainless Steel 304
3	Pressure Test Point	Brass Hpb59-1



V1. Dimensions in mm

This data sheet is designed as a guide and should not be regarded as wholly accurate in every detail. We reserve the right to amend the specification of any product without notice.